



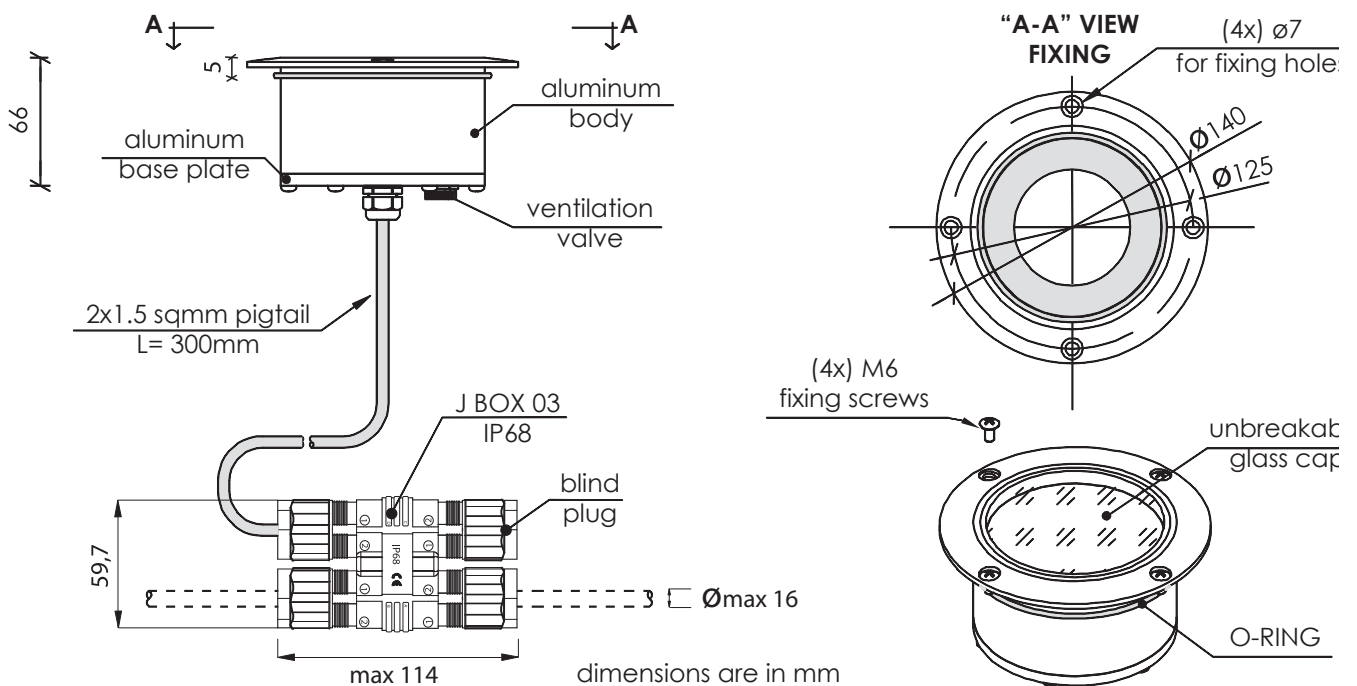
**PHOTOMETRIC STANDARD COMPLIANCE**

- designed and manufactured in Italy by Clampco Sistemi
- resistance to corrosion
- easy way for mounting – plug 'n' play connection
- the lowest weight and power consumption in the market

**SPECIFICATIONS**

Order Code	<b>SEGS24H100_I</b>
Light source	LED
Type of beacon	Steady
Colour	White according to CIE Chromaticity Boundary
Light Intensity	>100 cd (10%, 30% and 100%)
Horizontal coverage	360°
Input voltage	24 Vdc/Solar option available
Power consumption	10 W
Average life	100 000 hours
Temperature range	from -40 °C to +55 °C
Protection degree	IP68
Material of the body	Die cast aluminum alloy copper free
Material of the transparent cap	Borosilicate glass
Weight	1.2 Kg
Heater	20 W heater to be ordered separately
SGSC_POT	Flush mounting base to be ordered separately; weight: 3Kg; Dimensions: ø185 mm, H=191 mm

**TECHNICAL DRAWINGS**



Clampco Sistemi reserves the right to make changes at any time in order to supply the best product possible.