



**SEGS12P200\_EXIIC, SEGS24P200\_EXII, SEGS48P200\_EXIIC, SEGS23P200\_EXIIC**

Single Low Intensity Obstruction Light

PHOTOMETRIC STANDARD COMPLIANCE



**CAP 168;**  
**GR. B – LOW INTENSITY**  
**OBSTACLE LIGHT GROUP B.**



KEY FEATURES & BENEFITS

- designed and manufactured in Italy by Clampco Sistemi
- resistance to corrosion
- long life source
- easy way for mounting – plug 'n' play connection
- wide range power supply:  
12,24,48 Vdc  
110-230 Vac
- suitable for signaling:  
Flares  
Chimneys  
Oil & Gas derricks  
Cranes  
Off shore infrastructures

SPECIFICATIONS

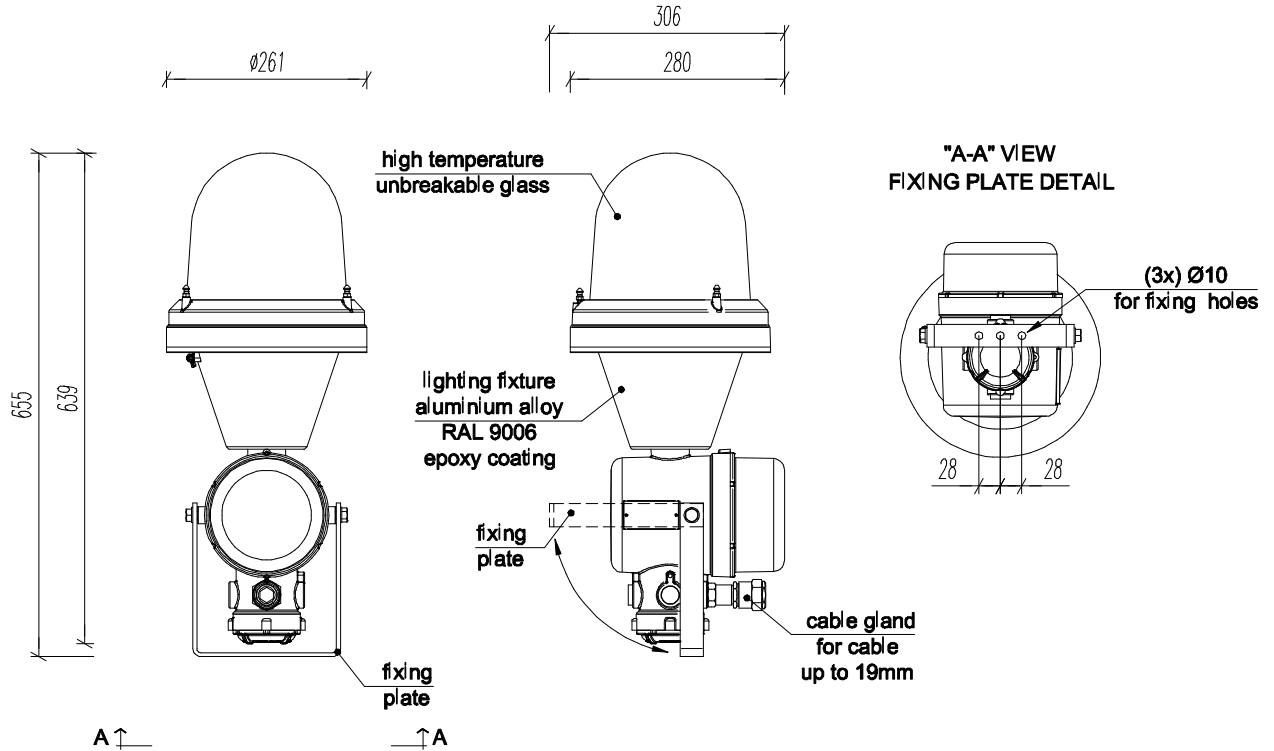
	SEGS12P200_EXIIC	SEGS24P200_EXIIC	SEGS48P200_EXIIC	SEGS23P200_EXIIC
Order Code				
Typical use	Night time			
Light source	LED			
Type of beacon	Single Flashing 20 ÷ 40 fpm			
Colour	Red according to CIE Chromaticity Boundary			
Light Intensity	>200 cd			
Horizontal coverage	360°			
Input voltage	12 Vdc	24 Vdc	48 Vdc	110 – 230 Vac
Power consumption	5 W @ 25 fpm, τ= 500 ms			
Average life	100 000 hours			
Temperature range	from -40 °C to +55 °C			
Protection degree	IP66			
Material of the body	Die cast aluminum alloy copper free			
Material of the transparent cap	Glass			
Connection	Cable gland nickel plated suitable for cable up to 24mm			
Weight	15 Kg			
Mounting Hardware	Stainless steel anchor basement.			
Fixing	3x Stainless steel Hexagon head screws M10x40			
Explosion proof protection	II 2G Exd IIC T6			
ATEX	INERIS 01 ATEX 0054x and INERIS 08 ATEX 0018x			
IECEX	INE 13.0075x and INE 13.0060x			
GOST	POCC IT.ME92.B02923 and POCC IT.ME92.B02924			

OPTIONS

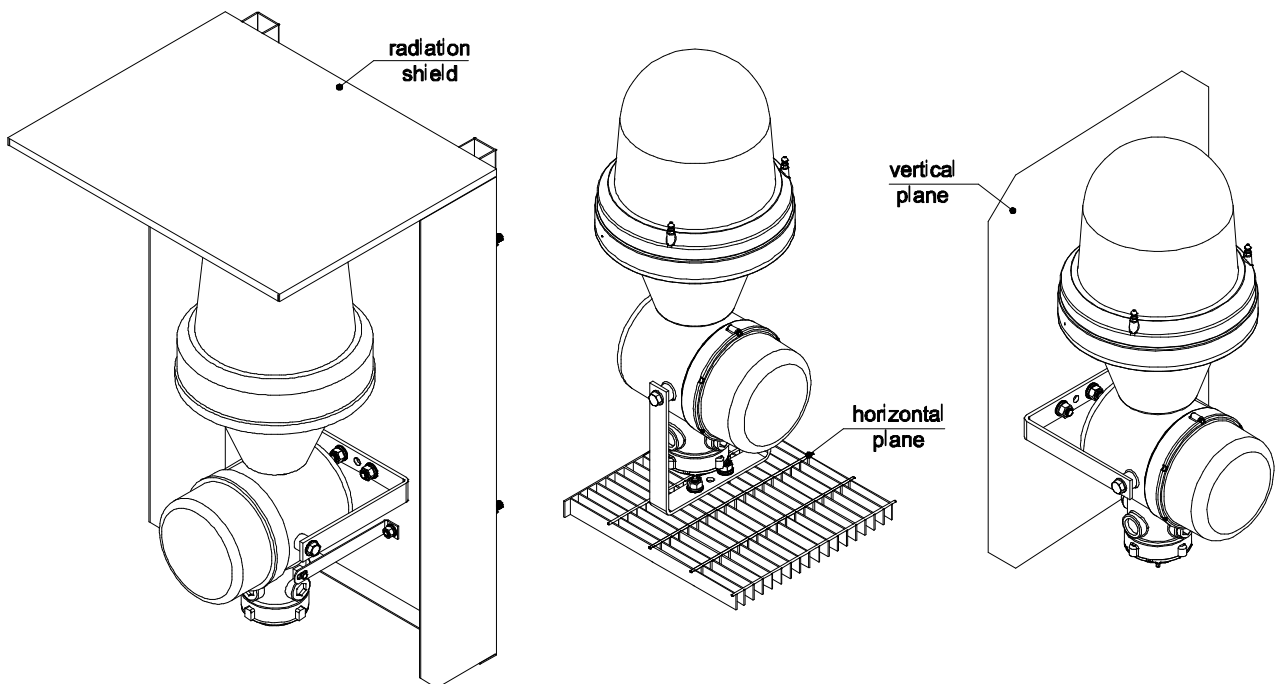
SEGSxxP200_SEI_EXIIC	Stainless steel radiation shield
	Integrated photoelectric switch 20-3000 Lux (adj.)
	Hawke stainless steel cable glands



TECHNICAL DRAWINGS



FIXING EXAMPLES



Clampco Sistemi reserves the right to make changes at any time in order to supply the best product possible.