



SEGS12B32, SEGS24B32, SEGS48B32, SEGS23B32

Single Low Intensity Obstruction Light

PHOTOMETRIC STANDARD COMPLIANCE



ICAO ANNEX 14, VOLUME I;
TYPE B - LOW INTENSITY OBSTACLE LIGHT.



FAA AC 150/5345-43F;
TYPE L-810.

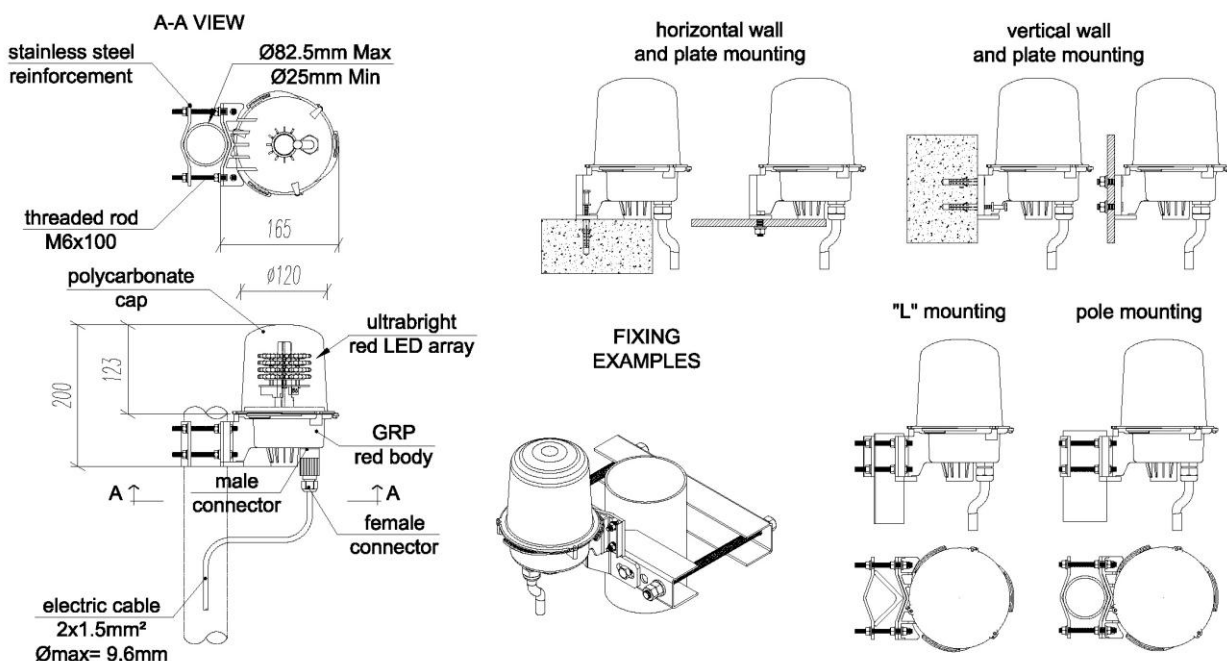
KEY FEATURES & BENEFITS

- designed and manufactured in Italy by Clampco Sistemi
- resistance to corrosion
- long life source
- easy way for mounting – plug 'n' play connection
- the lowest weight in the market

SPECIFICATIONS

	SEGS12B32	SEGS24B32	SEGS48B32	SEGS23B32
Order Code	SEGS12B32	SEGS24B32	SEGS48B32	SEGS23B32
Typical use	Night time			
Light source	LED			
Type of beacon	Steady			
Colour	Red according to CIE Chromaticity Boundary			
Light Intensity	>32.5 cd			
Horizontal coverage	360°			
Input voltage	12 Vdc	24 Vdc	48 Vdc	110 – 230 Vac
Power consumption	7 W	7 W	7 W	8 W
Average life	100 000 hours			
Temperature range	from -40 °C to +55 °C			
Protection degree	IP66			
Material of the body	Glass Reinforced Plastic red body (UL94-HB)			
Material of the transparent cap	Polycarbonate (UL94-V2)			
Connection	M/F connector IP68 for cable up to Ø9-6mm			
Weight	550 g			
Fixing	Stainless steel anchor basement for poles with diameter up to 82mm.			
Special Fixing SCSG00120	Hot dip galvanized steel anchor basement pole mounting (Ø max 114mm) or L mounting (up to 160mm) to be ordered separately.			

TECHNICAL DRAWINGS



Clampco Sistemi reserves the right to make changes at any time in order to supply the best product possible.