



PHOTOMETRIC STANDARD COMPLIANCE



**ICAO ANNEX 14, VOLUME I;
TYPE A & C - MEDIUM INTENSITY OBSTACLE
LIGHT;**

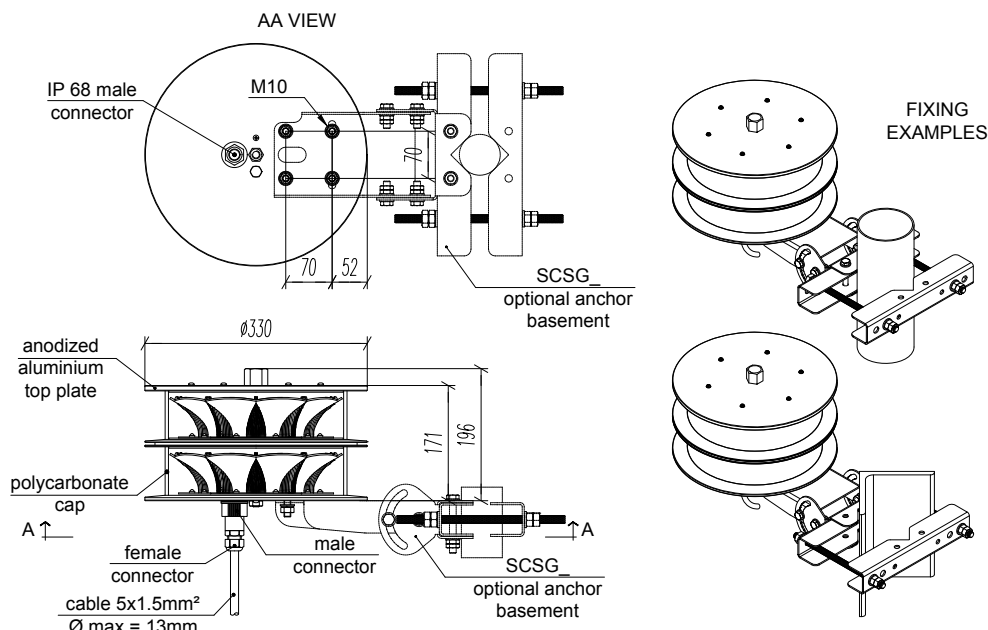
KEY FEATURES & BENEFITS

- designed and manufactured in Italy by Clampco Sistemi
- easy way for mounting – plug 'n' play connection
- the lowest power consumption in the market
- EMF immunity up to 60V/m

SPECIFICATIONS

Order Code	SEGS23P20K_C2K_15
Typical use	day and night time
Light source	LED
Type of beacon	Flashing day mode / steady night mode
Colour	white day mode / red night mode according to CIE Chromaticity Boundary
Light Intensity	20000 cd day mode / 2000 cd night mode
Flashing rate	40 ÷ 60 fpm (flash per minute)
Vertical Beam	3°-7°
Horizontal coverage	360°
Input voltage	110 – 230 Vac
Average power consumption	55 W day mode / 6 W night mode
Peak power consumption	210 W day mode / 35 W night mode
Average life	100 000 hours
Temperature range	from -40 °C to +55 °C
Protection degree	IP66
Material of the body	Anodized aluminum
Material of the transparent cap	Polycarbonate
Connection	M/F connector IP68 for cable up to ø 13 mm
Weight	7.5 Kg + 13 Kg (Junction Box)
Radiation shield	Stainless steel AISI 304
Optional fixing SCSG_HDGS	Mounting hardware for "L" shaped sections (50x50 mm min.; 160x160 mm max.); circular profiles (min. ø = 48,3 mm; max. ø 219.1 mm). Adjustable fixing plate (± 60° on the horizontal plan).

TECHNICAL DRAWINGS



Clampco Sistemi reserves the right to make changes at any time in order to supply the best product possible.