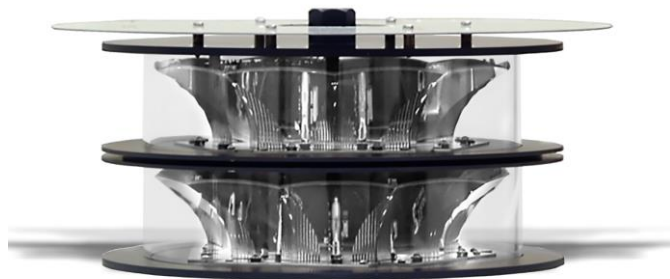




SEGS48P20K_2K_15, SEGS23P20K_2K_15

Single Medium Intensity Dual Mode Obstruction Light

PHOTOMETRIC STANDARD COMPLIANCE



ICAO ANNEX 14, VOLUME I;
TYPE A & B - MEDIUM INTENSITY
OBSTACLE LIGHT.



FAA AC 150/5345-43F;
TYPE L-865 & L-864

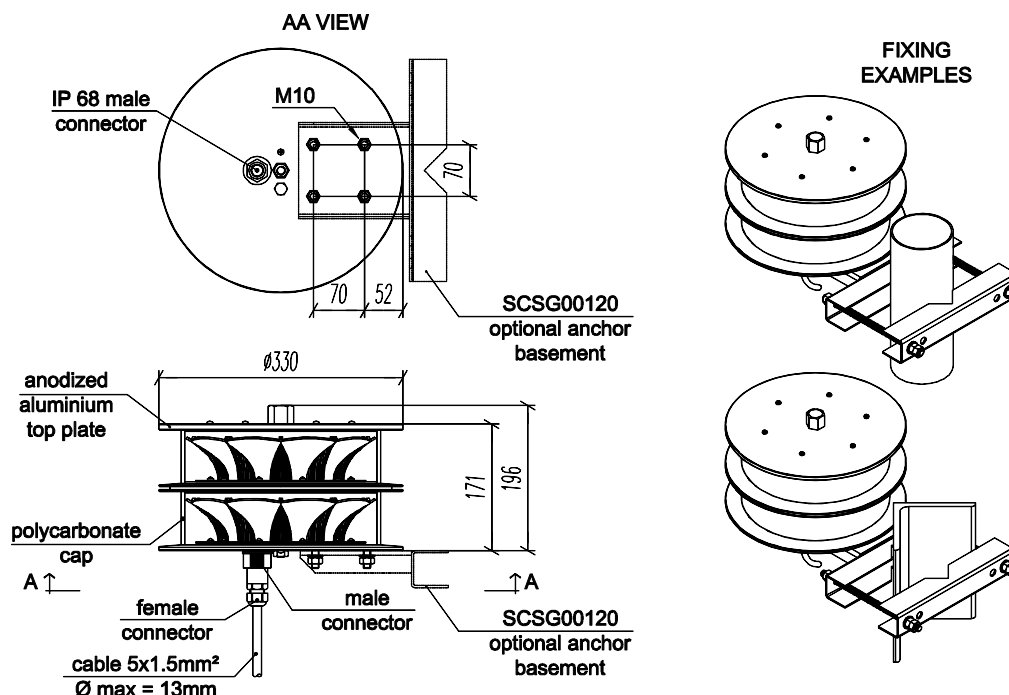
KEY FEATURES & BENEFITS

- designed and manufactured in Italy by Clampco Sistemi
- the lowest power consumption in the market
- easy way for mounting – plug 'n' play connection
- EMF immunity up to 60V/m

SPECIFICATIONS

	SEGS48P20K_2K_15	SEGS23P20K_2K_15
Order Code	SEGS48P20K_2K_15	SEGS23P20K_2K_15
Typical use	day and night time	
Light source	LED	
Type of beacon	Flashing	
Colour	White day mode / red night mode according to CIE Chromaticity Boundary	
Light Intensity	20000 cd day mode / 2000 cd night mode	
Flashing rate	20 ÷ 40 fpm (flash per minute)	
Horizontal coverage	360°	
Input voltage	48 Vdc	110 – 230 Vac
Average power consumption	45 W day mode / 6.5 W night mode	55 W day mode / 7.5 W night mode
Average life	100 000 hours	
Temperature range	from -40 °C to +55 °C	
Protection degree	IP66	
Material of the body	Anodized aluminum	
Material of the transparent cap	Polycarbonate	
Weight	7.5 kg	7.5 kg + 13 Kg (Junction Box)
Connection	M/F connector IP68 for cable up to ø13mm	
Radiation Shield	Stainless Steel AISI 304	
Fixing SCSG00120	Hot dip galvanized steel anchor basement pole mounting (ø max 114mm) or L mounting (up to 160mm) to be ordered separately.	

TECHNICAL DRAWINGS



Clampco Sistemi reserves the right to make changes at any time in order to supply the best product possible.