



SEGS24P2K_15, SEGS48P2K_15, SEGS23P2K_15

Single Medium Intensity Obstruction Light

PHOTOMETRIC STANDARD COMPLIANCE



ICAO ANNEX 14, VOLUME I;
TYPE B - MEDIUM INTENSITY
OBSTACLE LIGHT.



FAA AC 150/5345-43F;
TYPE L-864.

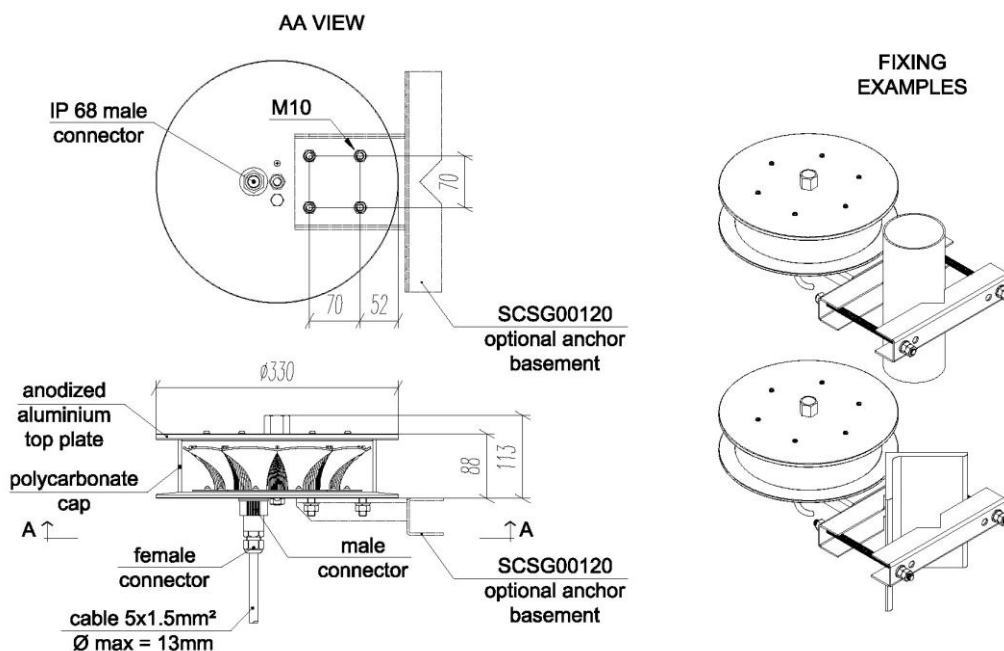
KEY FEATURES & BENEFITS

- designed and manufactured in Italy by Clampco Sistemi
- the lowest power consumption in the market
- easy way for mounting – plug 'n' play connection
- EMF immunity up to 60V/m

SPECIFICATIONS

	SEGS24P2K_15	SEGS48P2K_15	SEGS23P2K_15
Order Code	SEGS24P2K_15	SEGS48P2K_15	SEGS23P2K_15
Typical use	Night time		
Light source	LED		
Type of beacon	Flashing		
Colour	Red according to CIE Chromaticity Boundary		
Light Intensity	2000 cd		
Flashing rate	20 ÷ 40 fpm (flash per minute)		
Horizontal coverage	360°		
Input voltage	24 Vdc	48 Vdc	110 – 230 Vac
Average power consumption	7.5 W @ 25 fpm, τ= 500 ms	6.5 W @ 25 fpm, τ= 500 ms	7.5 W @ 25 fpm, τ= 500 ms
Average life	100 000 hours		
Temperature range	from -40 °C to +55 °C		
Protection degree	IP66		
Material of the body	Anodized aluminum		
Material of the transparent cap	Polycarbonate		
Weight	6.0 kg		
Connection	M/F connector IP68 for cable up to ø13mm		
Radiation Shield	Stainless Steel AISI 304 to be ordered separately		
Fixing SCSG00120	Hot dip galvanized steel anchor basement pole mounting (ø max 114mm) or L mounting (up to 160mm) to be ordered separately.		

TECHNICAL DRAWINGS



Clampco Sistemi reserves the right to make changes at any time in order to supply the best product possible.